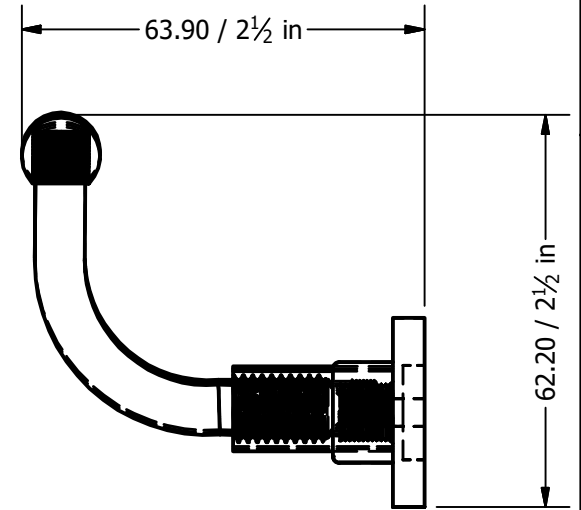
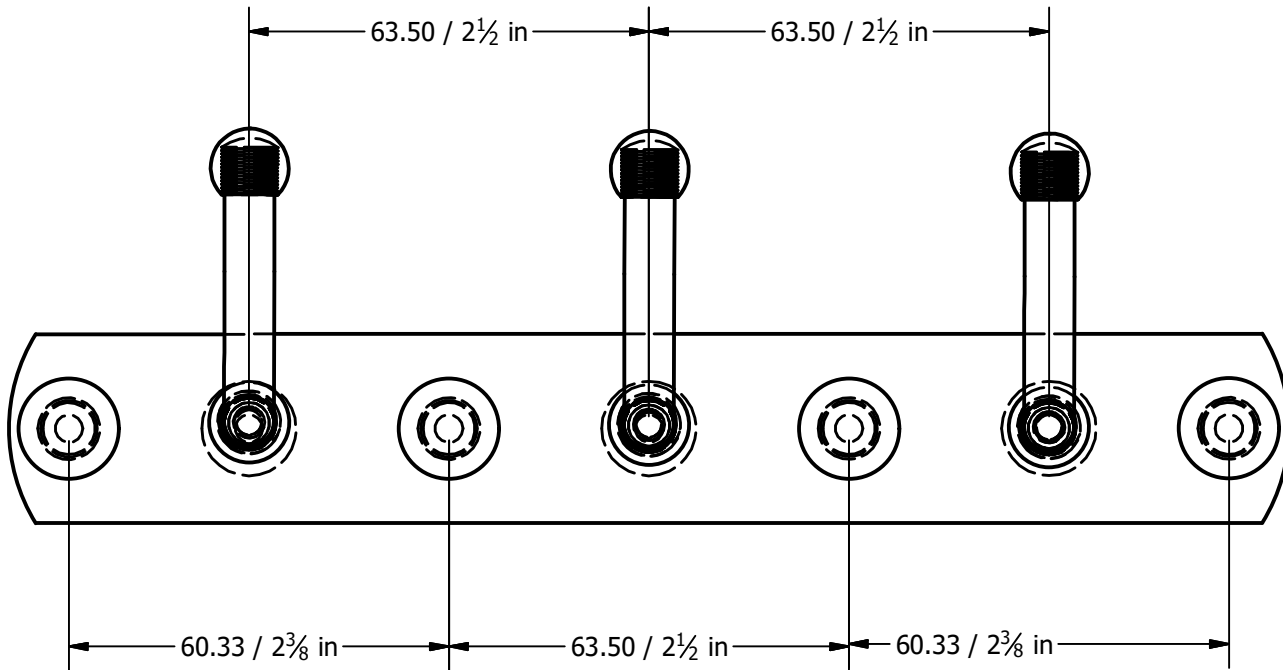
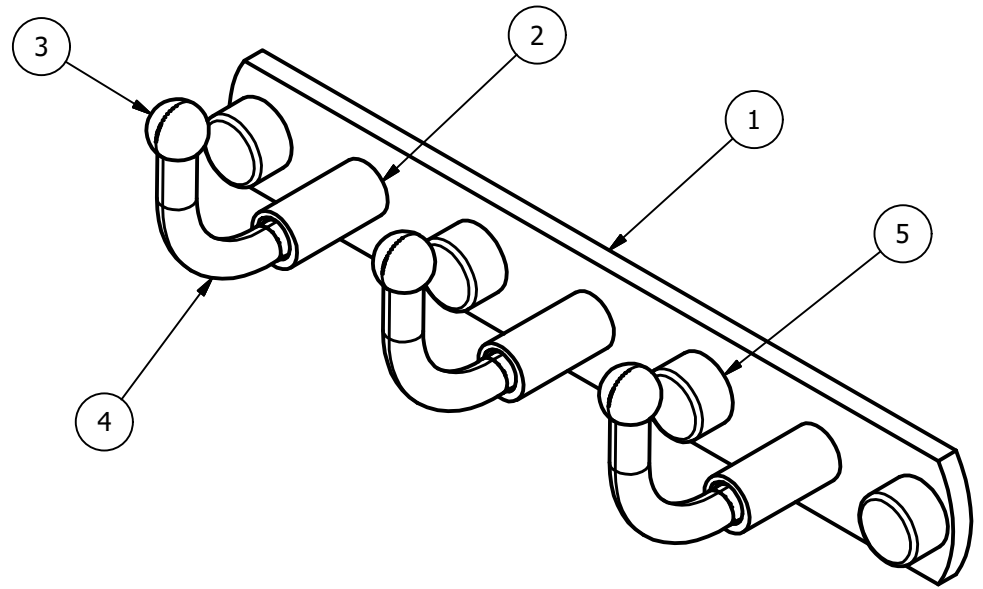


P1020-2			
ITEM	QTY	PART NUMBER	DESCRIPTION
1	1	BPHK-8	TRIPLE HOOK PLATE
2	3	PSRD8-12	POST
3	3	BL1T-12	END BALL
4	3	HKHK9	BENT TUBE 90 DEG FOR HOOK
5	4	CARD-58	CAP



UNLESS OTHERWISE SPECIFIED	
.X	± .3mm
.XX	± .15mm
.XXX	± .008mm

COPYRIGHT @ALLIEDBRASS 2018

THIRD ANGLE PROJECTION

DRAWN	10-30-18	IM
CHECKED	10-30-18	P.D.
APPROVED	10-30-18	R.A.

MATERIAL: BRASS

DESCRIPTION: Skyline Collection
3 Position Multi Hook



APPROVED FOR PRODUCTION
By: RICHARD PAUL
Date: 10-30-18

FINISH	TBD
QTY	TBD
DRAWING NO.	REV
1020-3	0
SCALE	1:1
SHEET: 1 OF 1	A4